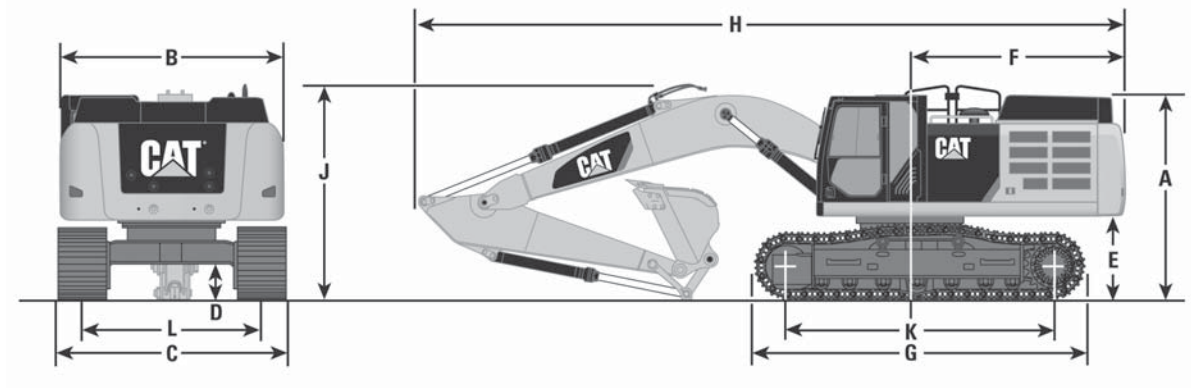


SCHEDULE 10 – Largest Wide Load

Hydraulic Excavators

Shipping Dimensions

- 349E ● 349F L ● 349F L XE



Region Offerings	349E – FIX Reach**		349F L**		349F L – FIX***		349F L XE***	
	Japan		North America		North America		North America	
	mm	ft	mm	ft	mm	ft	mm	ft
A	3220	10'7"	3220	10'7"	3220	10'7"	3220	10'7"
B	2990	9'10"	2990	9'10"	3000	9'10"	2990	9'10"
C	3340	11'0"	3490	11'5"	3640	11'11"	3790	12'5"
D	510	1'8"	480	1'7"	510	1'8"	480	1'7"
E	1280	4'2"	1280	4'2"	1280	4'2"	1280	4'2"
F	3760	12'4"	3760	12'4"	3760	12'4"	3760	12'4"
G	5040	16'6"	5370	17'7"	5370	17'7"	5370	17'7"
H*	11 920	39'1"	11 920	39'1"	11 930	39'2"	11 930	39'2"
J*	3730	12'3"	3730	12'3"	3670	12'0"	3670	12'
K	4030	13'3"	4360	14'4"	4360	14'4"	4360	14'4"
L	2740	9'0"	2740	9'0"	2740	9'0"	2740	9'0"

*Varies with stick length.

**R3.35 (11'0") stick and 600 mm (24") shoes.

***R3.9 (12'10") stick and 900 mm (35") shoes.