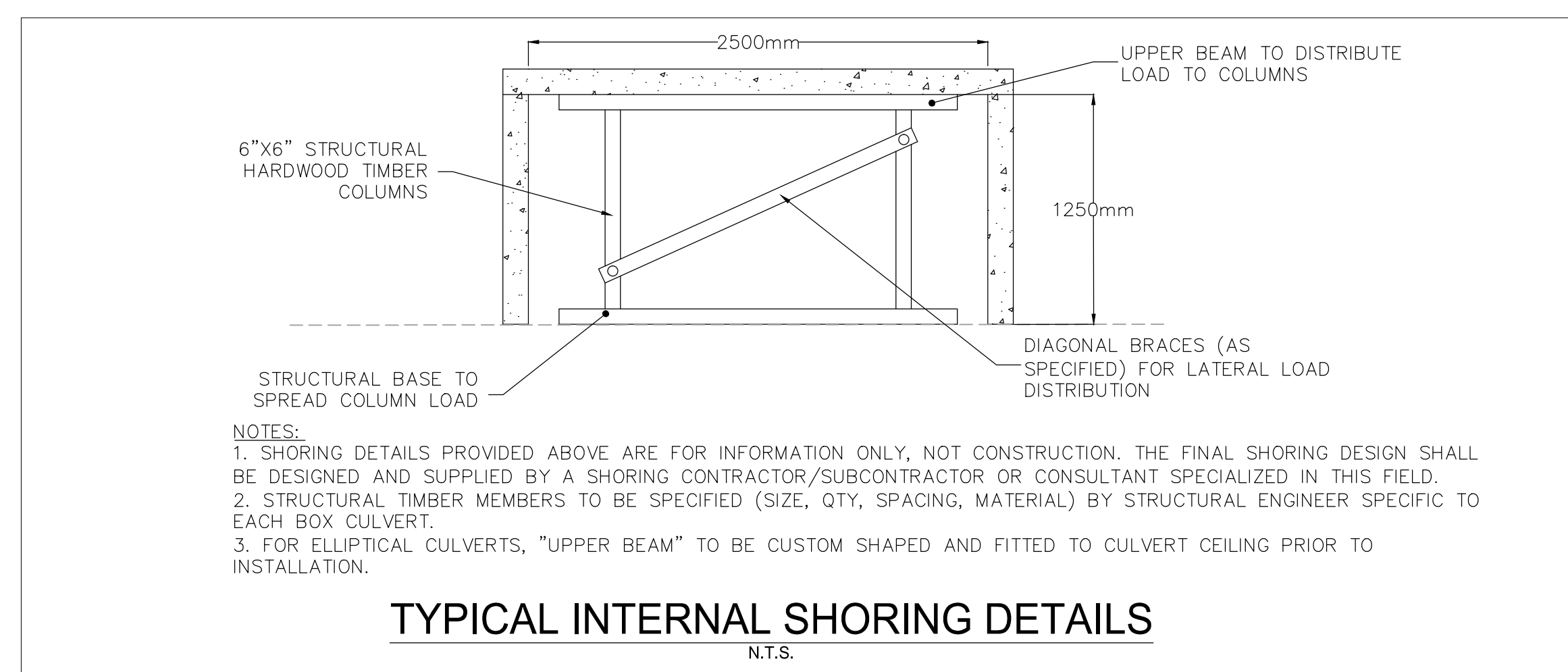
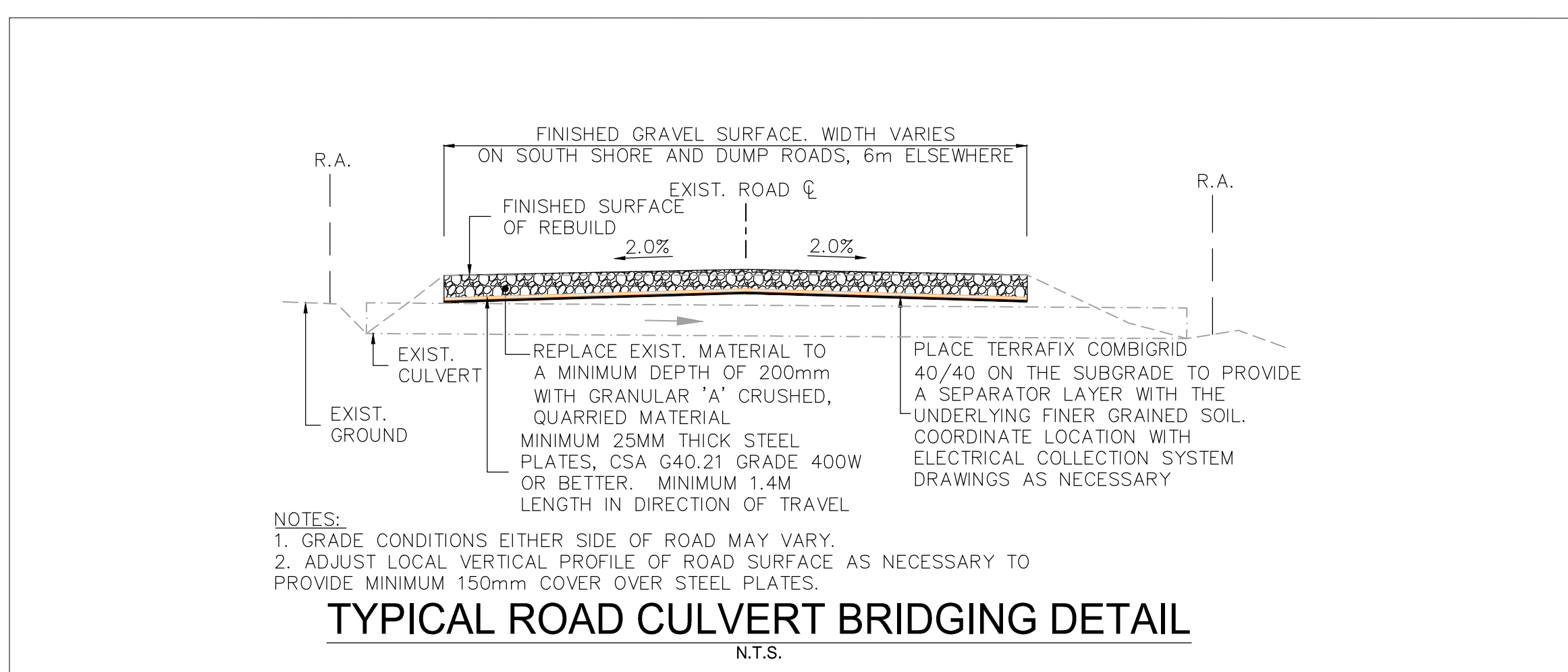
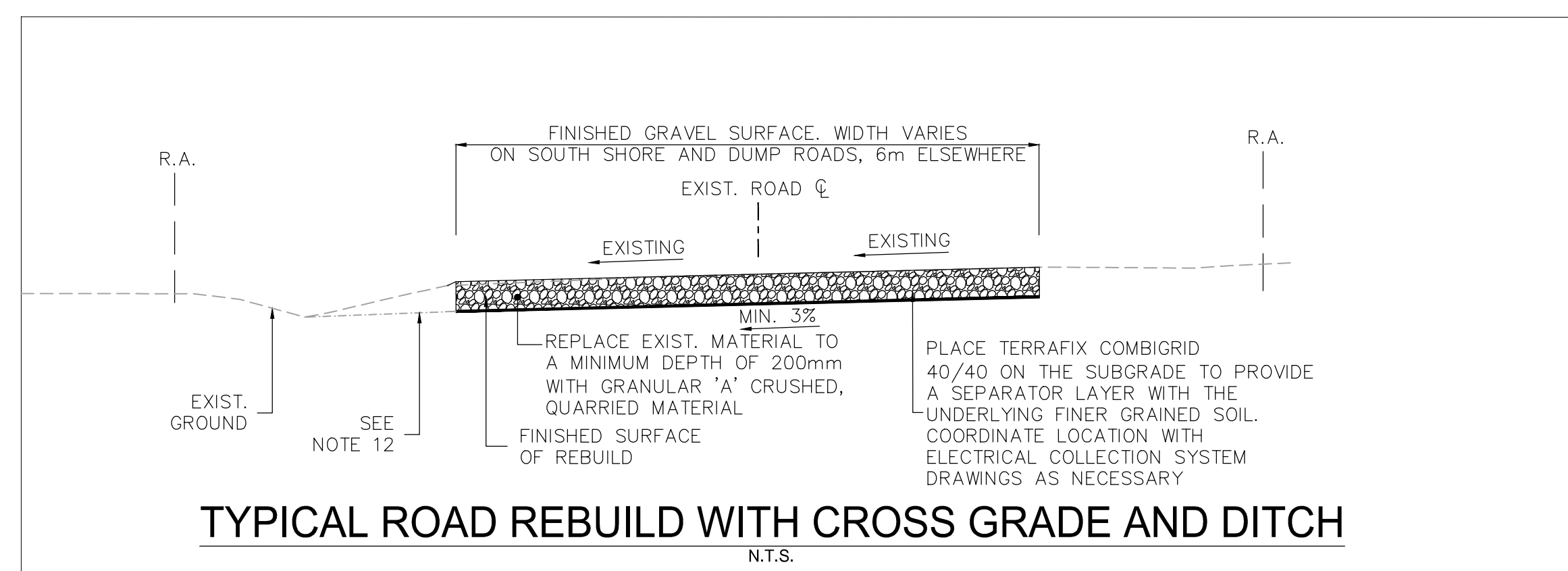
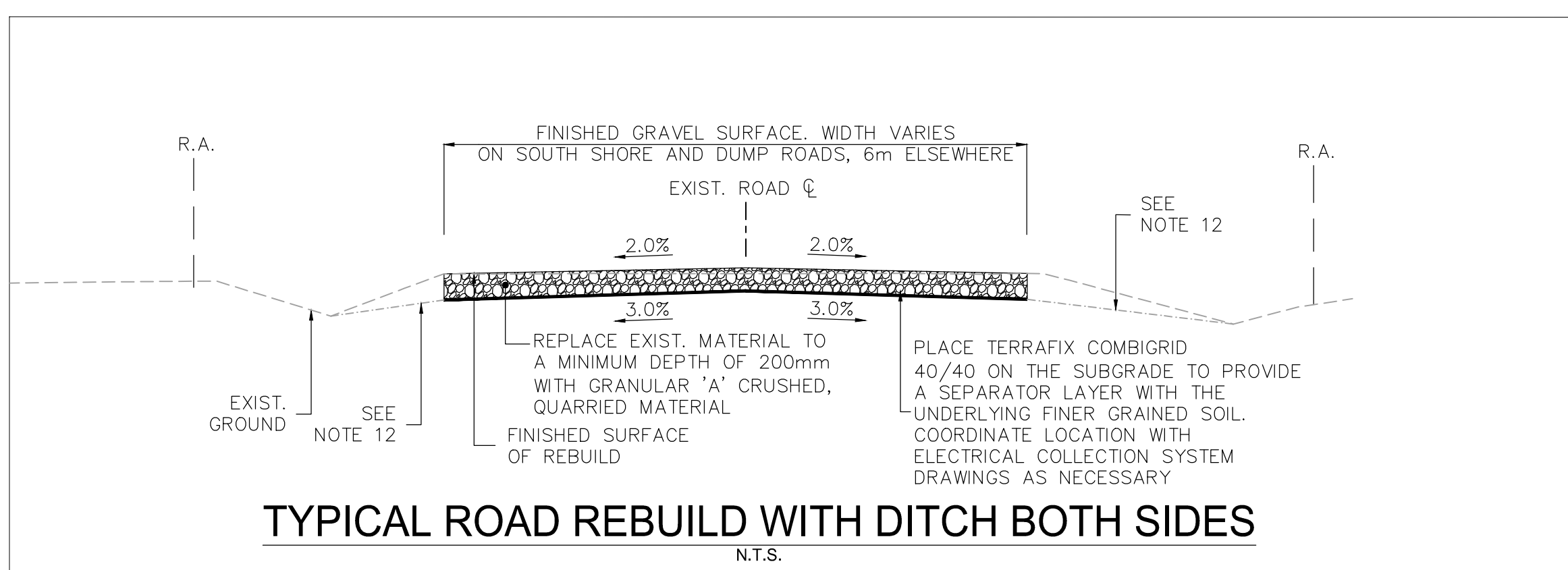
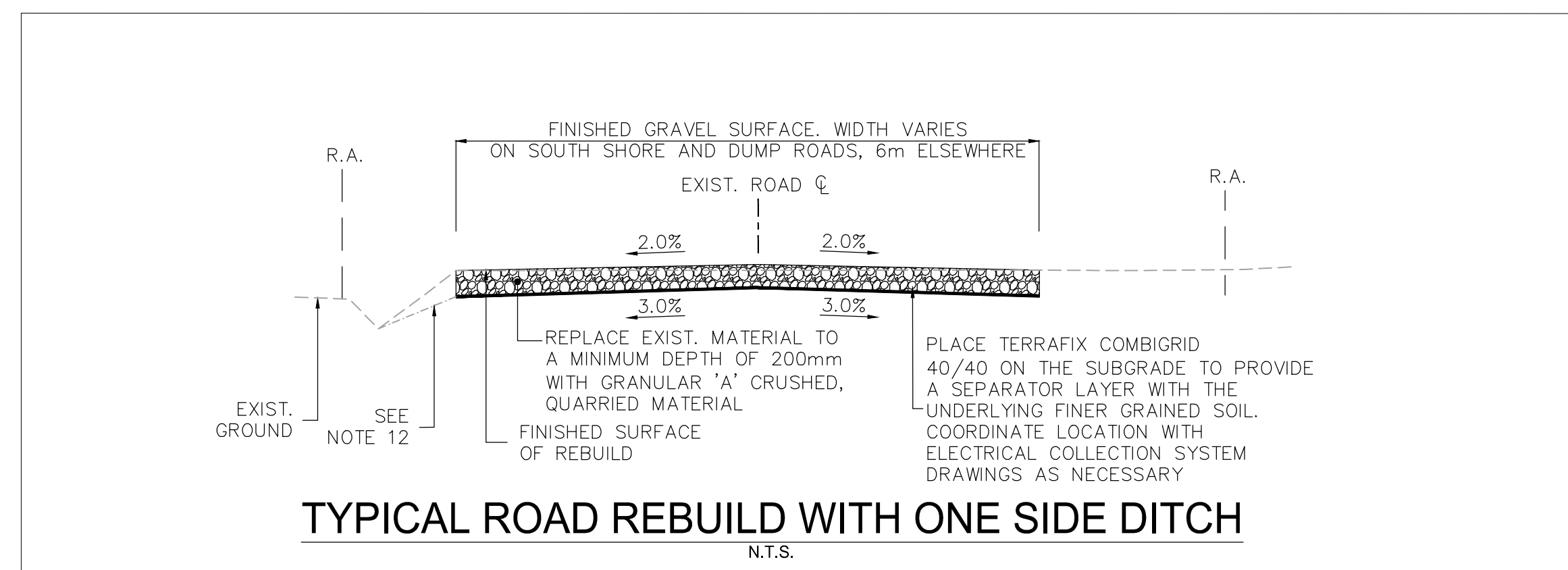
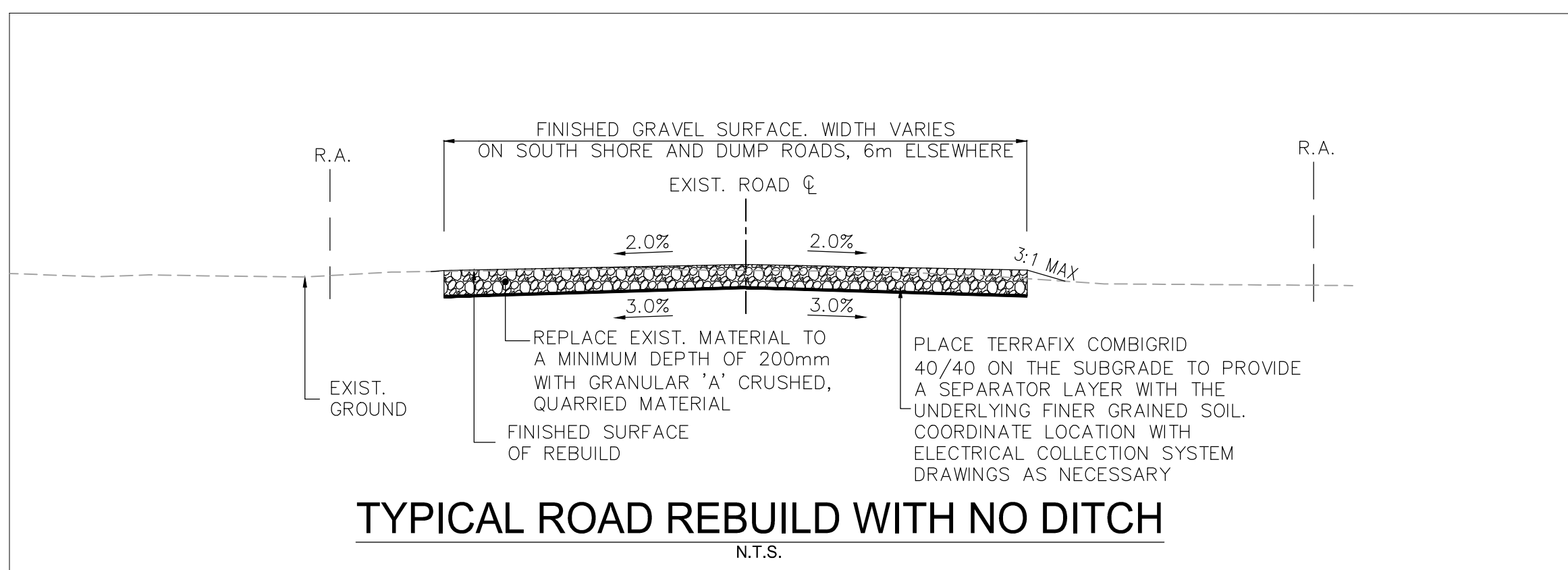


Copyright Reserved

The Contractor shall verify and be responsible for all dimensions. DO NOT scale the drawing - any errors or omissions shall be reported to Stantec without delay.
The Copyright to all designs and drawings are the property of Stantec. Reproduction or use for any purpose other than that authorized by Stantec is forbidden.

Notes

- UNDER GROUND AND ABOVE GROUND UTILITIES AND STRUCTURES ARE NOT NECESSARILY SHOWN ON THE DRAWINGS AND WHERE SHOWN, THE ACCURACY OF POSITION IS NOT GUARANTEED. THE CONTRACTOR SHALL INFORM THEMSELVES OF THE EXACT LOCATION OF ALL UTILITY PLANTS PRIOR TO STARTING WORK.
- THE REQUIREMENTS FOR THE REMOVAL, REINSTALLATION AND/OR DISPOSAL OF EXISTING FEATURES IN CONFLICT WITH THE CONSTRUCTION AREA WILL BE CONFIRMED IN THE FIELD DURING CONSTRUCTION.
- SURVEY COMPLETED BY MENTOSH PERRY CONSULTING ENGINEERS, DATED 2017. (UTM ZONE 18 NAD83 CRSR 1997.0)
- ENTRANCE RADI AS NOTED TO BE PROVIDED FROM EDGE OF PAVEMENT OR GRAVEL AS SHOWN ON PLAN DRAWING. RADIUS MODIFICATIONS MAY BE REQUIRED SUBJECT TO REVIEW OF ENTRANCE SKEW ANGLE AND VEHICLE ACCESS REQUIREMENTS.
- UPON COMPLETION OF REBUILD/RENOVATE ROAD WORK, CONTRACTOR TO CONFIRM ROADS ARE IN COMPLIANCE WITH SIEMENS SPECIFICATIONS "GENERAL SITE REQUIREMENTS, AMHERST ISLAND, EQUIPMENT ONLY AM" REV 6.31, DATED 2016-09-23.
- CONTRACTOR TO UNDERTAKE REPAIRS TO ROADS ON AN AS-NEEDED BASIS TO MAINTAIN ROAD IN EXISTING OR BETTER CONDITION IN CONSIDERATION OF ISLAND TRAFFIC AND CONSTRUCTION TRAFFIC DURING EXECUTION OF THE PROJECT.
- MATting TO BE USED FOR BYPASS LOCATIONS AS NEEDED.
- FOR TREE REMOVALS REFER TO "STANTEC ARBORIST REPORT".
- TRAFFIC CONTROL DURING CONSTRUCTION REFER TO "STANTEC AMHERST ISLAND WIND ENERGY PROJECT TRAFFIC MANAGEMENT PLAN"
- CONTRACTOR TO ASSESS EXISTING CULVERT PRIOR TO CONSTRUCTION. EXISTING CULVERTS MAY BE BRIDGED OR REINFORCED PRIOR TO PROJECT WORK. CULVERT EXTENSION AND INSTALLATION DETAILS REFER TO QPSS 241.
- SEDIMENT AND EROSION CONTROL MEASURES ARE TO BE IMPLEMENTED PRIOR TO, AND MAINTAINED DURING CONSTRUCTION TO PREVENT ENTRY OF SEDIMENT INTO THE NATURAL ENVIRONMENT. THE CONTRACTOR WILL BE REQUIRED TO MONITOR THE SEDIMENT CONTROL MEASURES REGULARLY AND REPAIR ANY DAMAGE IMMEDIATELY. SEDIMENTS TO BE REMOVED WHEN ACCUMULATIONS REACH A MAXIMUM OF 1/3 THE HEIGHT OF THE EROSION CONTROL MEASURE. (SILT FENCE, STRAW BALE, ETC.). SILT FENCE INSTALLATION MUST OCCUR PRIOR TO COMMENCEMENT OF CONSTRUCTION, AS PER REA CONDITION H3(4).
- ROAD SECTION SUPPLEMENTAL DRAINAGE - WHERE ROAD SUBGRADE ELEVATION IS HIGHER THAN ELEVATION OF NEARBY DITCH INVERT OR FALL-OFF TOPOGRAPHY WITHIN THE ROAD ALLOWANCE, INSTALL A DITCH PERPENDICULAR TO EDGE OF ROAD SO AS TO PROVIDE DRAINAGE PATH FOR THE ROAD SUBGRADE. FILL DITCH WITH GRANULAR 'A' CRUSHED, QUARRIED MATERIAL. PLACE SUCH DITCHES AT LOCAL LOW SPOTS AND EVERY 100M ALONG ROAD LENGTH WHERE SUCH ELEVATION CONDITIONS EXIST.



A	ISSUED FOR MUNICIPAL CONSENT	PH	LL	17.08.29
Revision		By	Appd.	YY.MM.DD

File Name:	RC	LL	PH	17.08.29
	Dwn.	Chkd.	Dgn.	YY.MM.DD



Client/Project

AMHERST ISLAND WIND PROJECT
75MW WIND FARM
Amherst Island, Loyalist Township, Ontario

Title
AMHERST ISLAND MUNICIPAL ROAD ADDITIONAL TYPICAL SECTIONS

Project No.	Scale
133560100	
Drawing No.	Sheet
	Revision

\\CD\0044\01\650\active\133560100\10_drawing\133560100_South Shore Rd.dwg 2017/08/29 10:32 AM by Hcanga_Psd